

Low Profile Universal Load Cell



FEATURES

- Capacity: 0.5 - 100t
- Alloy steel construction
- Universal load cell
- Integrated overload protection (in compression)
- Tension and compression loading

OPTIONAL FEATURES

- Load cell without base mounting plate (for compression applications)
- Metric and imperial threads

DESCRIPTION

Model 98001 is a universal alloy steel shear beam load cell ideal for testing machine applications employing both tension and compression loading. This shear beam design load cell provides

excellent immunity to impact and side forces. This load cell includes integrated overload protection for compression loading applications.

APPLICATIONS

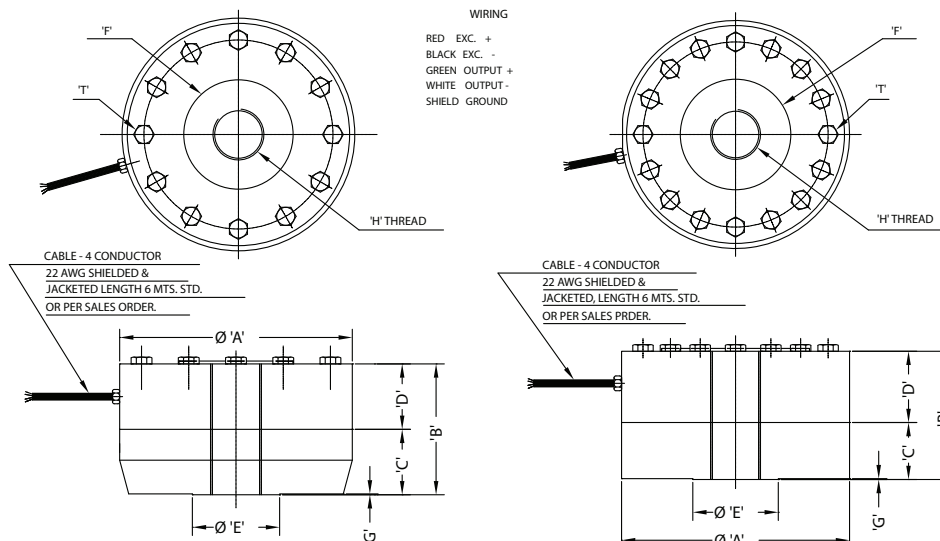
- Universal testing machines

OUTLINE DIMENSIONS in millimeters

CAPACITY	Ø A	B	C	D	Ø E	Ø F	G	H THREAD	T
500kg, 1.0, 2.0, 3.0, 5.0 tons	105.0	66.40	35.00	31.4	34.0	34.0	7.80	M16 x 1.5	M8, 12 PLCS ON PCD 90.0
10, 15, 20, 25, 30 tons	154.0	89.00	44.50	44.5	57.0	63.0	0.76	M30 x 2.0	M10, 12 PLCS ON PCD 130.0
40, 50, 60 tons	203.0	115.06	51.56	63.5	76.0	95.5	0.76	1 3/4"-12 UNF-2B	M12, 16 PLCS ON PCD 165.0
100 tons	279.0	166.10	77.20	88.9	114.0	122.0	0.80	M72 x 2.0	M16, 16 PLCS ON PCD 221.4

500 Kg-30.0 tons

40.0-100.0 tons



SPECIFICATIONS

PARAMETER	VALUE	UNIT
Rated output-R.O.	2.0	mV/V
Rated output tolerance	10	± %FSO
Zero balance	1	± %FSO
Combined error	< 0.10	± %FSO
Non-linearity	< 0.050	± %FSO
Hysteresis	< 0.050	± %FSO
Non-repeatability	< 0.020	± %FSO
Creep error (30 minutes)	< 0.002	± %FSO
Temperature effect on zero	< 0.001	± %/°C
Temperature effect on output	0.001	± %/°C
Operating temperature range	-20 TO +70	°C
Maximum safe central overload	150	%FSO
Ultimate central overload	300	%FSO
Excitation, recommended	10	Vdc
Excitation, maximum	15	Vdc
Input impedance	699-750	Ω
Output impedance	699-750	Ω
Insulation resistance at 50 VDC	>1000	MΩ
Material	Alloy steel with electroless nickel plated	
Environmental protection	IP67	

Disclaimer

All product specifications and data are subject to change without notice.

Vishay Precision Group, Inc., its affiliates, agents, and employees, and all persons acting on its or their behalf (collectively, "Vishay Precision Group"), disclaim any and all liability for any errors, inaccuracies or incompleteness contained herein or in any other disclosure relating to any product.

Vishay Precision Group disclaims any and all liability arising out of the use or application of any product described herein or of any information provided herein to the maximum extent permitted by law. The product specifications do not expand or otherwise modify Vishay Precision Group's terms and conditions of purchase, including but not limited to the warranty expressed therein, which apply to these products.

No license, express or implied, by estoppel or otherwise, to any intellectual property rights is granted by this document or by any conduct of Vishay Precision Group.

The products shown herein are not designed for use in medical, life-saving, or life-sustaining applications unless otherwise expressly indicated. Customers using or selling Vishay Precision Group products not expressly indicated for use in such applications do so entirely at their own risk and agree to fully indemnify Vishay Precision Group for any damages arising or resulting from such use or sale. Please contact authorized Vishay Precision Group personnel to obtain written terms and conditions regarding products designed for such applications.

Product names and markings noted herein may be trademarks of their respective owners.